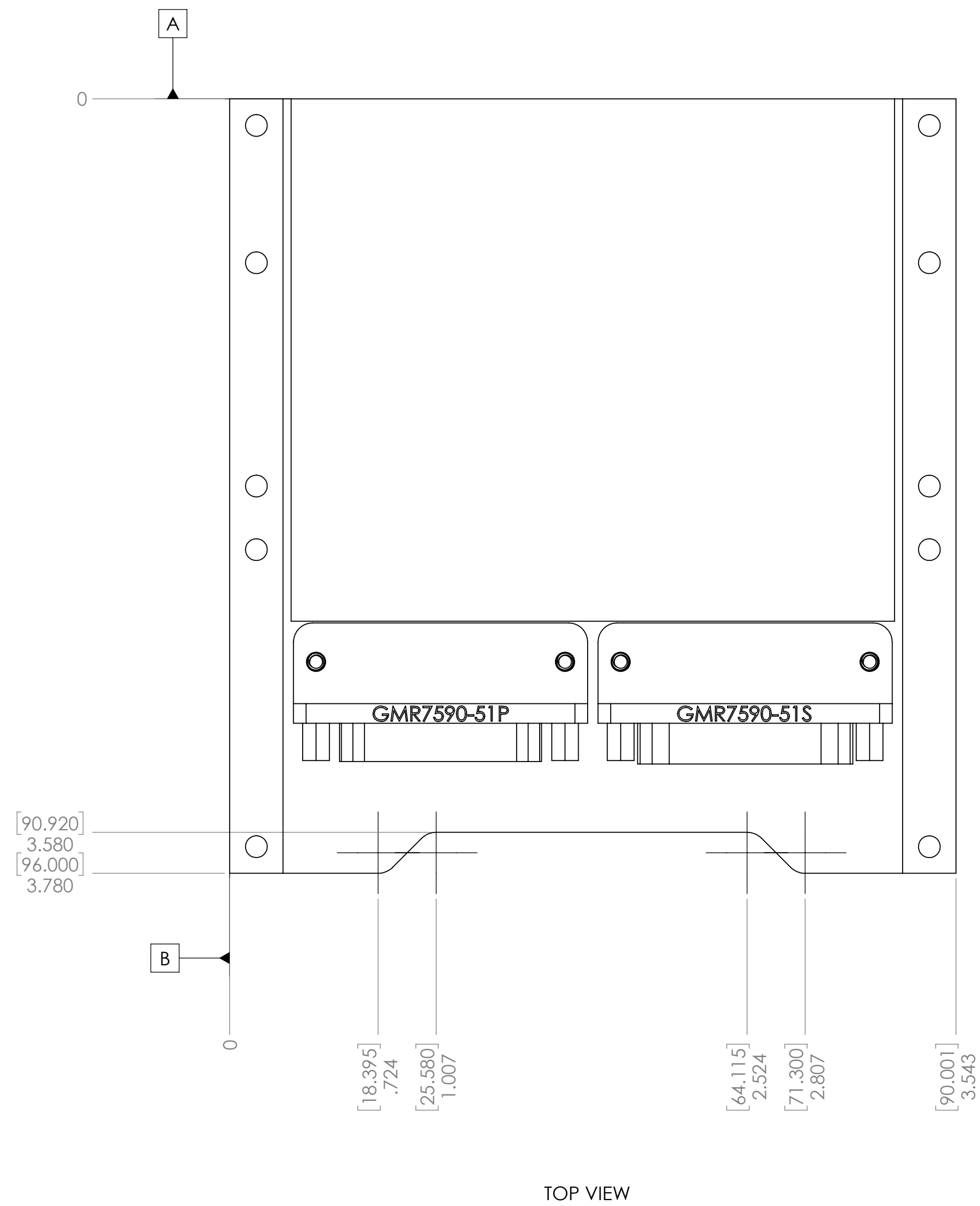


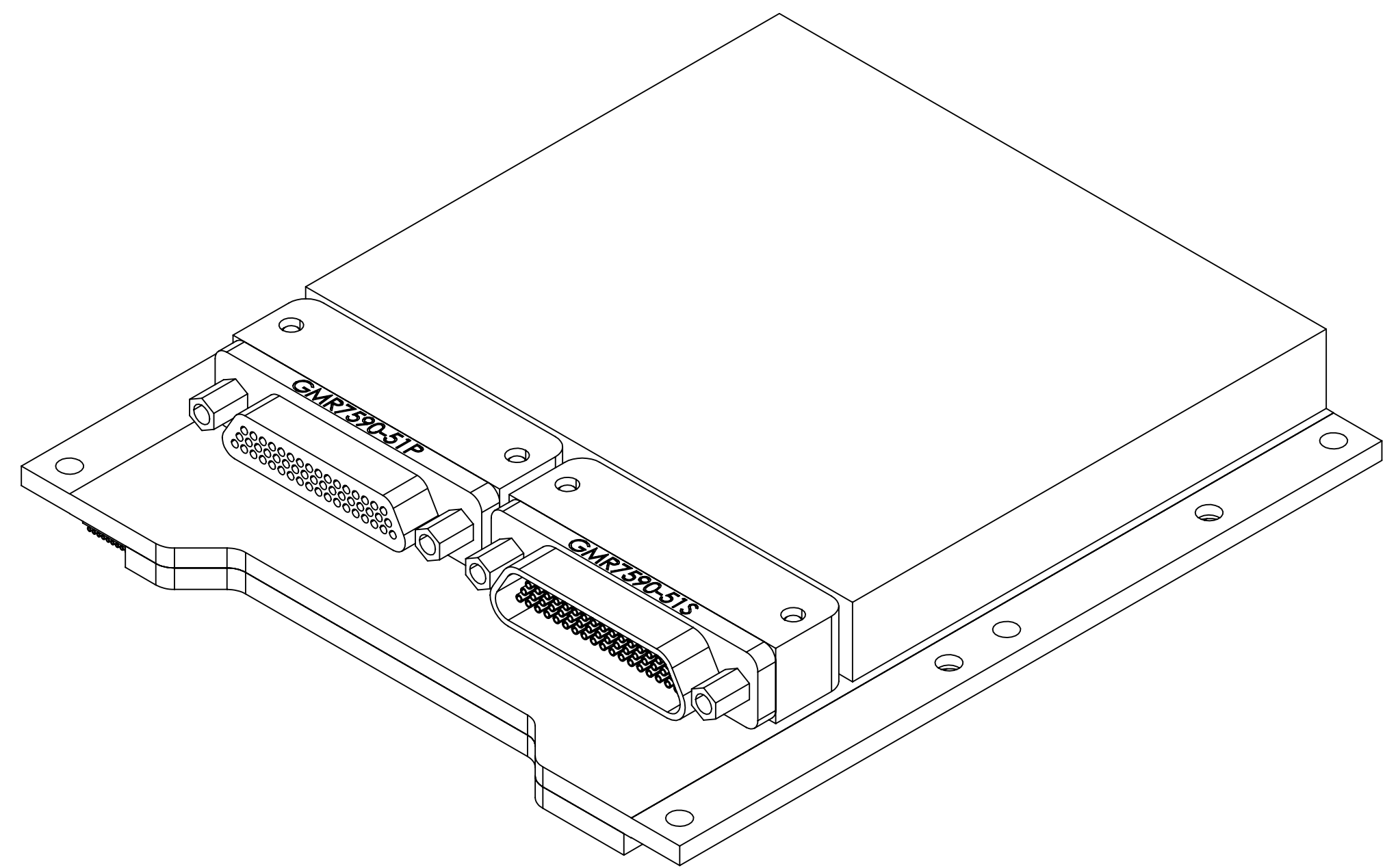
NOTES:

- 1. THIS DRAWING IS THE SOLE AUTHORITY FOR THE BASIC FORM, LOCATION, ORIENTATION, AND DIMENSIONAL CHARACTERISTICS OF ALL DESIGN FEATURES IN ADDITION TO ALL MECHANICAL, THERMAL, AND ELECTRICAL INTERFACE SPECIFICATIONS.
- 2. PRECAUTIONARY PACKAGING, HANDLING, PROCESSING, AND INSTALLATION PROCEDURES SHALL BE USED TO PREVENT DAMAGE FROM ELECTROSTATIC, ELECTROMAGNETIC, AND OTHER ENVIRONMENTAL FIELD FORCES.
- 3. WEDGELOCKS NOT PROVIDED. RECOMMENDED USING A MODIFIED PN EN265-3.30T2K FROM SCHROFF. SWITCH SPLIT LOCK WASHER FOR FOD CONCERN.
- 4. WHEN USING WEDGELOCKS, RECOMMENDED ASSEMBLY MOUNTING FASTENER: PN MS-51959-2
- 5. MAXIMUM TEMPERATURE AT THERMAL INTERFACE: 60C
- 6. ASSEMBLY MASS: < 150 g

REVISIONS			
REV.	DESCRIPTION	DATE	APPROVED
-	INITIAL RELEASE	1/29/18	R. ROBERTSON
A	ADDED ADDITIONAL DIMENSIONS TO THERMAL INTERFACE REGIONS	2/14/2019	R. ROBERTSON
B	REMOVED CONNECTOR PINOUTS FROM THIS ICD. ADDED PWB THICKNESS DIMENSION. UPDATED MAXIMUM ASSEMBLY MASS	2/27/2019	R. ROBERTSON
C	NOTES 3, 4, AND 6 UPDATED. DUAL DIMENSIONS ADDED. TITLE BLOCK UPDATED TO REFERENCE 200W SYSTEM	2/4/2021	G. ROTH



TOP VIEW



ISOMETRIC VIEW

THIS DEVICE IS ELECTROSTATIC SENSITIVE.
HANDLE IN ACCORDANCE WITH
ANSI/ESD S20.20

PROPRIETARY AND CONFIDENTIAL

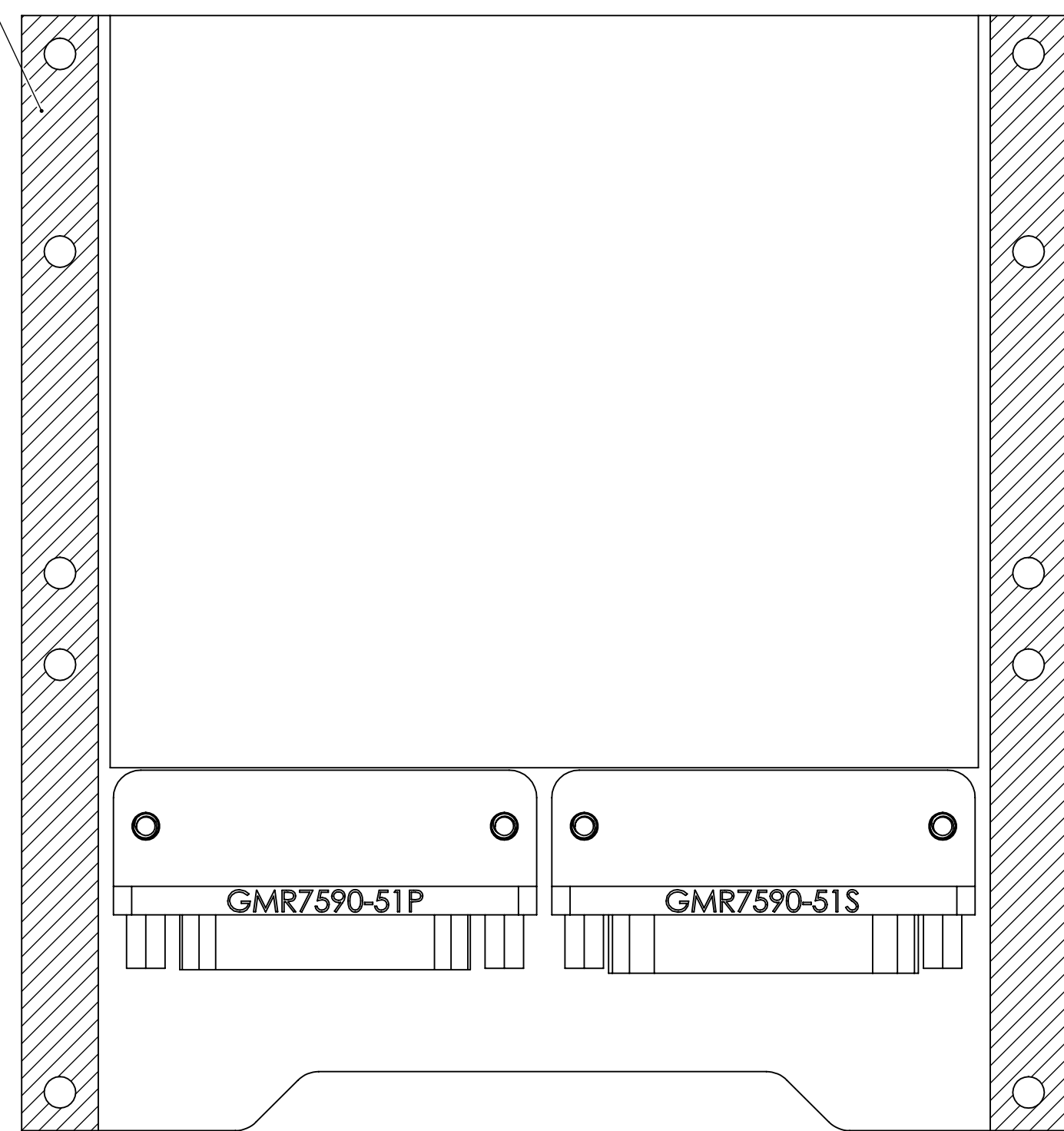
UNLESS OTHERWISE SPECIFIED:		NAME	DATE	IBEOS
DIMENSIONS ARE IN INCHES		G. ROTH	12/13/18	
TOLERANCES:				
FRACTIONAL: 1/16				
ANGULAR: ±0.5 DEG				
TWO PLACE DECIMAL: ±0.010				
THREE PLACE DECIMAL: ±0.005				
INTERPRET DRAWING PER:				
ASME Y14.100-2004				
INTERPRET GEOMETRIC TOLERANCING PER:				
ASME Y14.5-2009				
ALL SURFACES TO BE				
DO NOT SCALE DRAWING				

DRAWN	CHECKED	COMMENTS	TITLE
G. ROTH	R. ROBERTSON	1/14/19	INTERFACE CONTROL DOCUMENT: 14V 150-WATT AND 28V 200W SYSTEM ELECTRICAL POWER SYSTEM

SIZE	DWG. NO.	REV
D	CA-001-ICD-01	C

SCALE: 2:1 | CAGE CODE: 71UQ8 | SHEET 1 OF 2

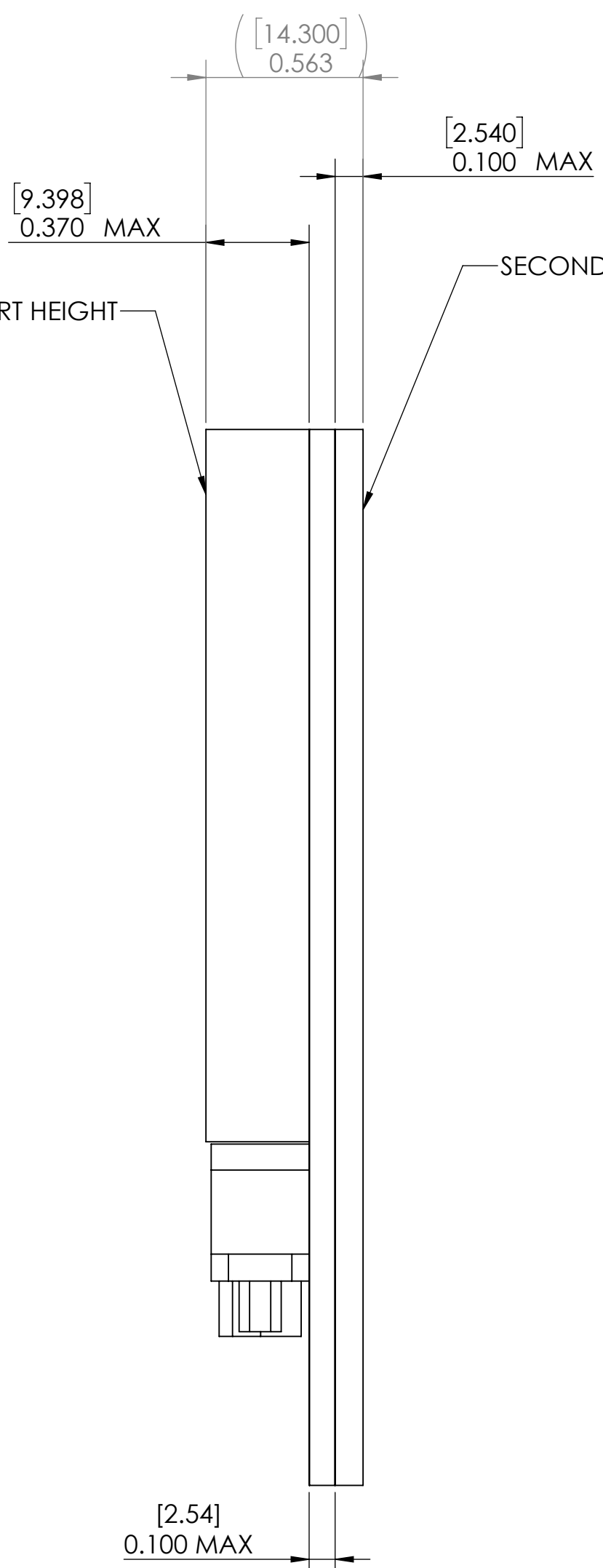
THERMAL INTERFACE REGIONS
TOP AND BOTTOM



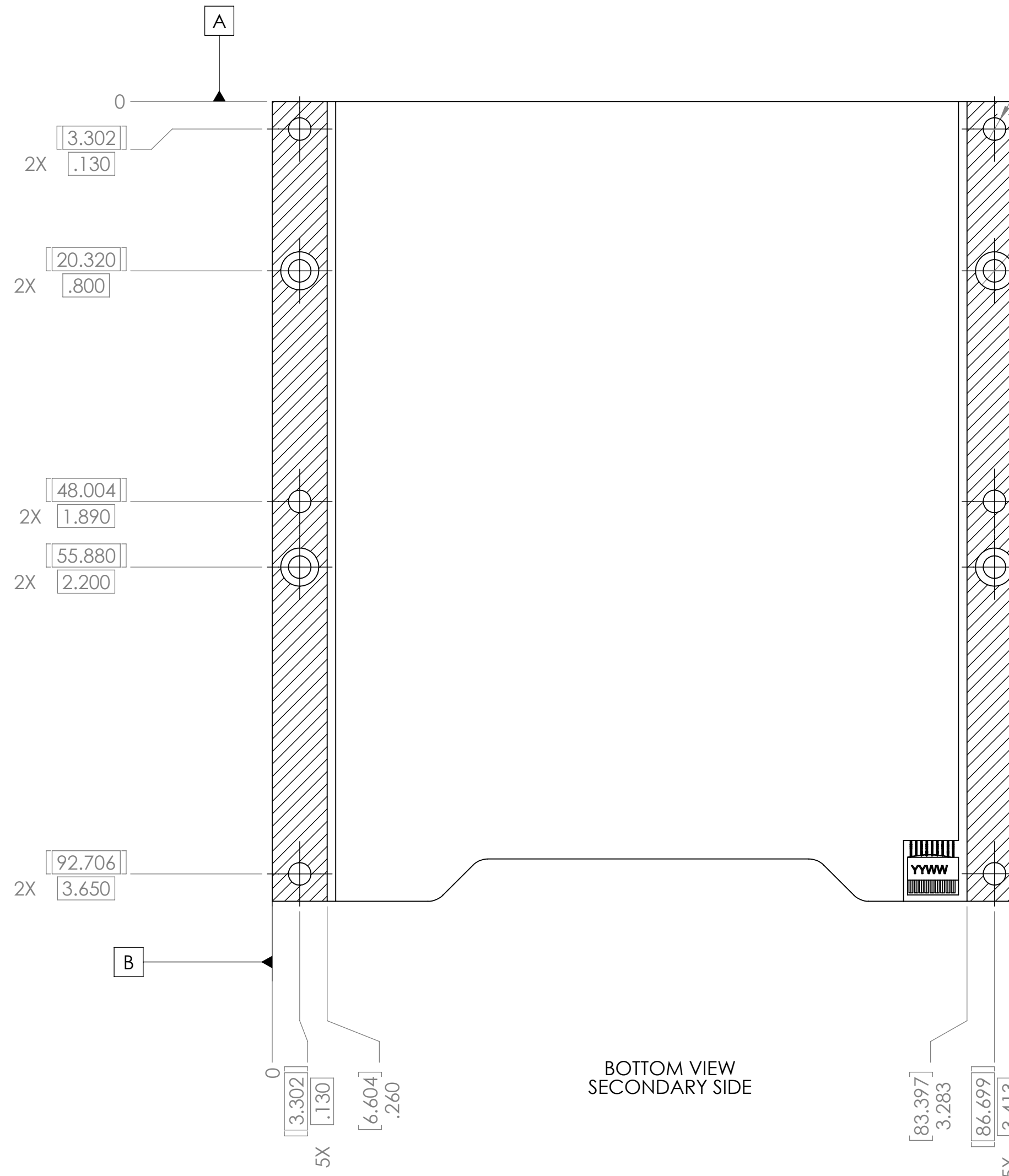
TOP VIEW
PRIMARY SIDE

PRIMARY SIDE PART HEIGHT

SECONDARY SIDE PART HEIGHT



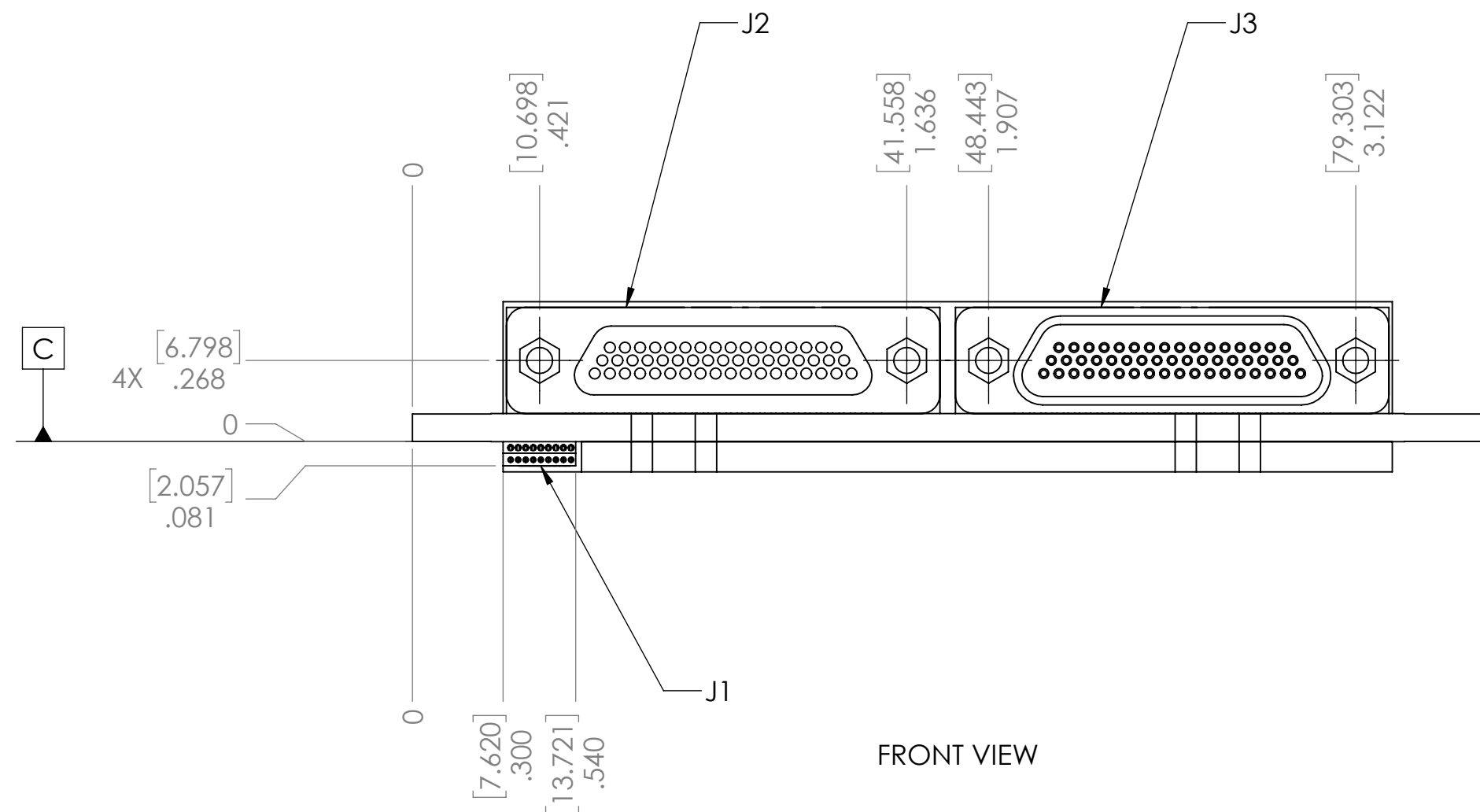
[2.54]
0.100 MAX



BOTTOM VIEW
SECONDARY SIDE

[2.705]
6X Ø0.107
CLEARANCE HOLES
FOR .086-56 FASTENERS
⊕.014 (M) A B C

4X Ø .107 [2.705] THRU ALL
∇ Ø .180 [4.572] X 82°
CLEARANCE HOLES
FOR .086-56 FASTENERS
SEE NOTE 3
⊕.014 (M) A B C



FRONT VIEW

EPS CONNECTORS

REF. DES.	PART NUMBER	MANUFACTURER	DESCRIPTION	REC MATING CONN PN	MATING CONN MANUFACTURER
J1	PZN-22-AA	OMNETICS	GSE CONNECTOR	PZN-22-18.0-WD-C	OMNETICS
J2	GMR7590-51P1BSU	GLENAIR	OUTPUTS AND C&DH	MWDM2L-51S-4J5-18L	GLENAIR
J3	GMR7590-51S1BSU	GLENAIR	BATTERY AND SOLAR ARRAY	MWDM2L-51P-4J5-18L	GLENAIR

THIS DEVICE IS ELECTROSTATIC SENSITIVE.
HANDLE IN ACCORDANCE WITH
ANSI/ESD S20.20

UNLESS OTHERWISE SPECIFIED:		NAME	DATE	IBEOS
DIMENSIONS ARE IN INCHES		DRAWN	G. ROTH	12/13/18
TOLERANCES:		CHECKED	R. ROBERTSON	1/14/19
FRACTIONAL: 1/16		COMMENTS:		
ANGULAR: ±0.5 DEG				
TWO PLACE DECIMAL: ±.010				
THREE PLACE DECIMAL: ±.005				
INTERPRET DRAWING PER: ASME Y14.100-2004				
INTERPRET GEOMETRIC TOLERANCING PER: ASME Y14.5-2009				
ALL SURFACES TO BE √				
DO NOT SCALE DRAWING				
TITLE:				INTERFACE CONTROL DOCUMENT: 14V 150-WATT AND 28V 200 W ELECTRICAL POWER SYSTEM
SIZE DWG. NO.				REV
D CA-001-ICD-01				C
SCALE: 2:1				(CAGE CODE: 71UG8) SHEET 2 OF 2

PROPRIETARY AND CONFIDENTIAL