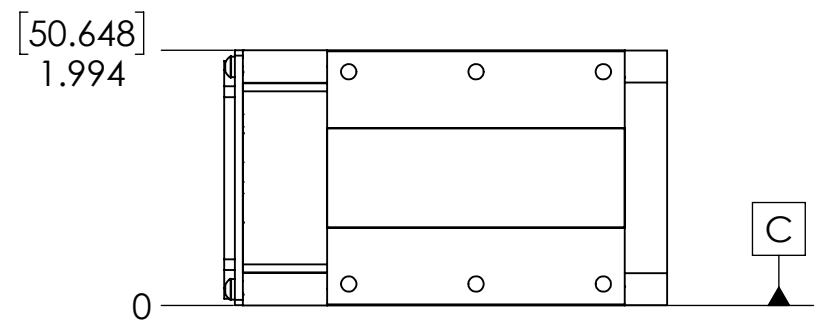
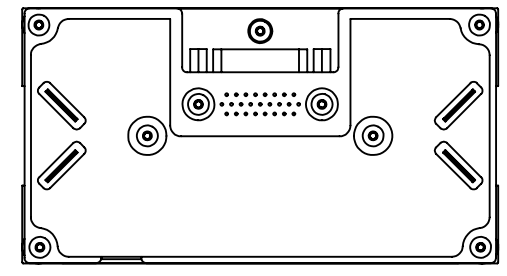
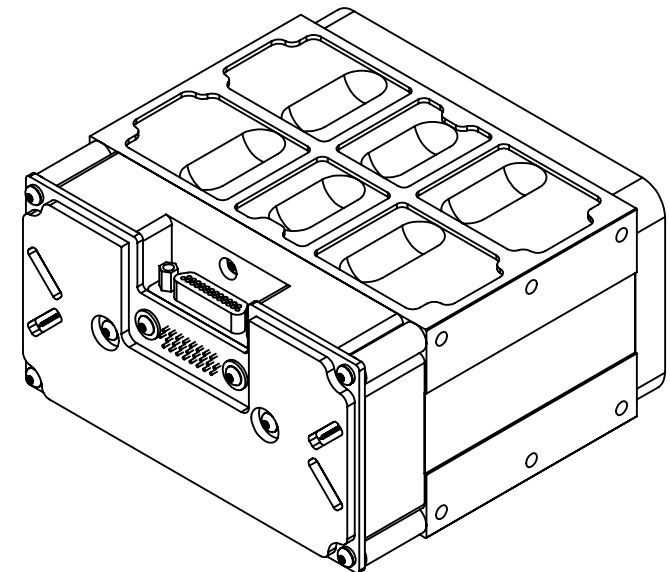
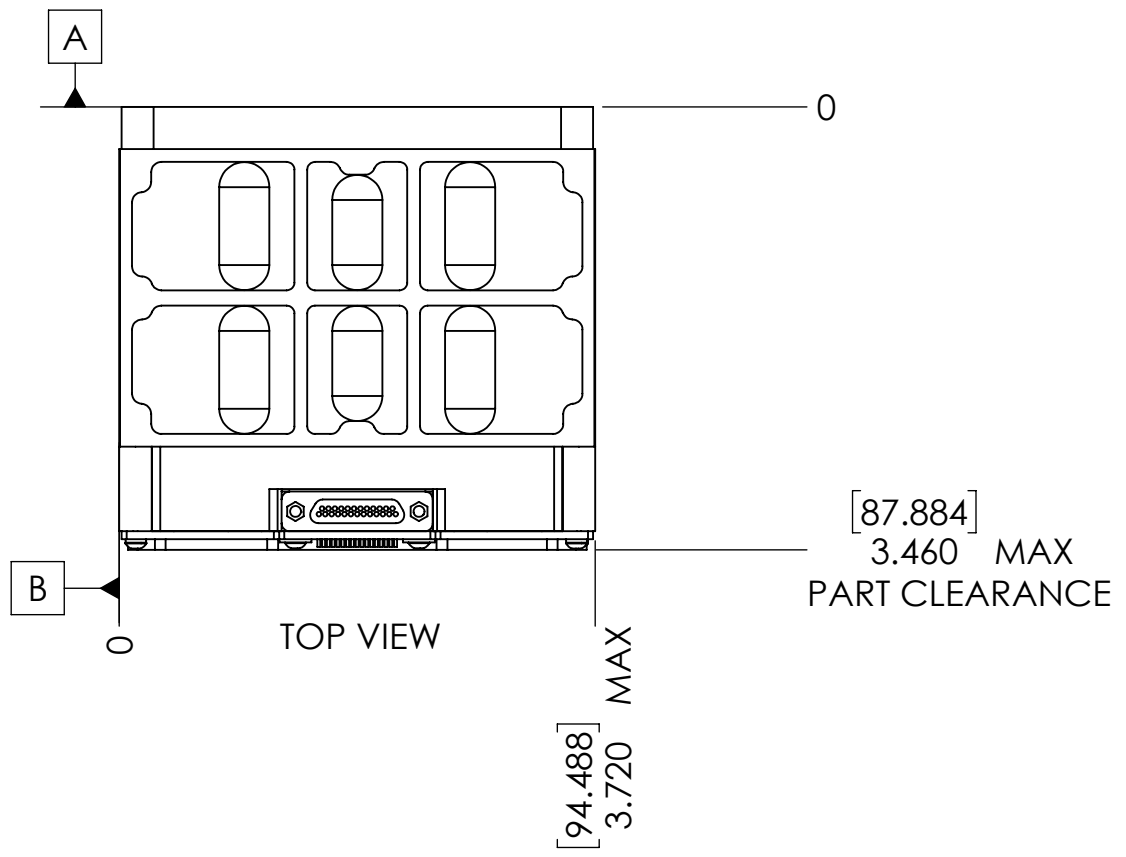


REVISIONS				
ZONE	REV.	DESCRIPTION	DATE	APPROVED
	-	INITIAL RELEASE	02/02/2021	G. ROTH

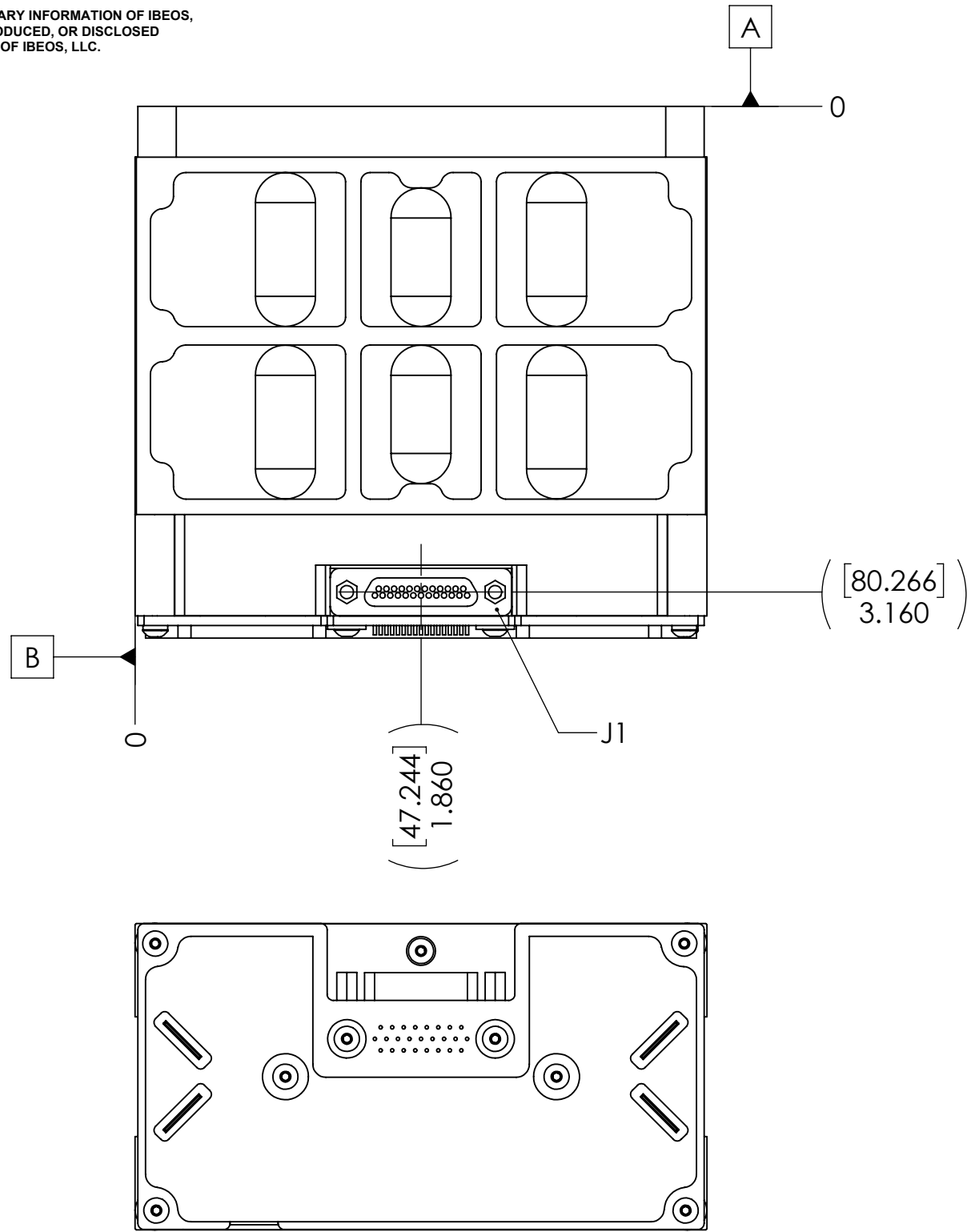


1. THIS DRAWING IS THE SOLE AUTHORITY FOR THE BASIC FORM, LOCATION, ORIENTATION, AND DIMENSIONAL CHARACTERISTICS OF ALL DESIGN FEATURES IN ADDITION TO ALL MECHANICAL AND THERMAL INTERFACE SPECIFICATIONS.
2. PRECAUTIONARY PACKAGING, HANDLING, PROCESSING, AND INSTALLATION PROCEDURES SHALL BE USED TO PREVENT DAMAGE FROM ELECTROSTATIC, ELECTROMAGNETIC, AND OTHER ENVIRONMENTAL FIELD FORCES.
3. MAXIMUM TEMPERATURE AT THERMAL INTERFACE: TBC
4. ASSEMBLY MASS: < 815 g
5. ALL EXTERNAL CHASSIS SURFACES ARE AL6061-T651 TREATED WITH CHEM FILM PER MIL-5541 TYPE II, CLASS 3

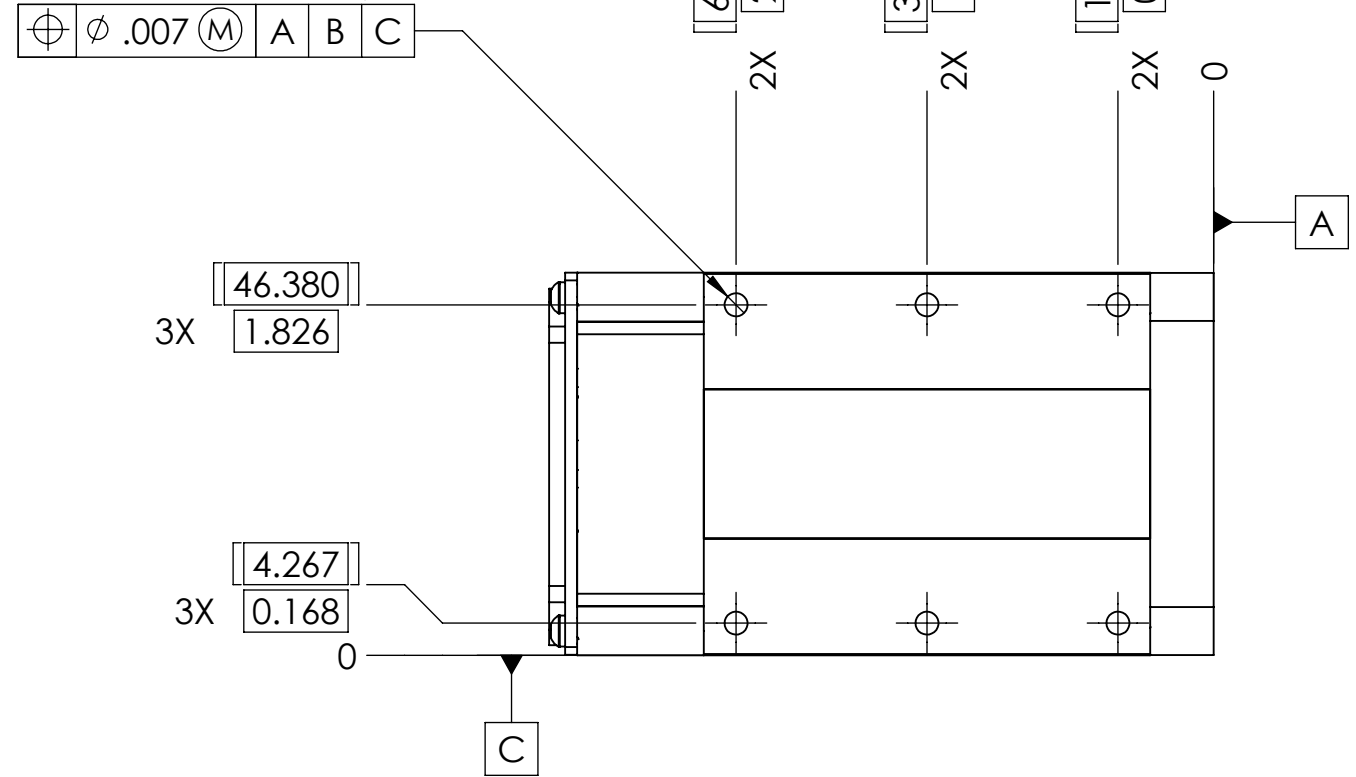
NOTES:

INTERPRET DRAWING PER ASME Y14.5-2018 DIMENSIONS ARE IN INCHES [mm] DO NOT SCALE DRAWING UNLESS OTHERWISE NOTED TOLERANCES ARE AS FOLLOWS: .XXX = +/- .005 .XX = +/- .010 .X = +/- .020 ANGLES = +/- 1/2 DEG HOLE DIA = + .003/- .002	THIS DRAWING CONTAINS PROPRIETARY INFORMATION OF IBEOS, LLC AND CANNOT BE COPIED, REPRODUCED, OR DISCLOSED WITHOUT THE WRITTEN PERMISSION OF IBEOS, LLC.		12110 Sunset Hills Rd, Suite C4 Reston, VA 20190		TITLE: B28-135 MECHANICAL ICD		
			DRAWN BY: GTR 02/02/21	MANUFACTURING:	SIZE B	DWG. NO. CA-135-001	REV -
CHECKED BY: GTR 02/02/21		QUALITY ASSURANCE:		SCALE: 1:1			
ENGINEERING: MG 02/02/21		REVISED BY:		FILE: B28-135-MiCD_Rev-1			
					SHEET 1 OF 3		

THIS DRAWING CONTAINS PROPRIETARY INFORMATION OF IBEOS, LLC AND CANNOT BE COPIED, REPRODUCED, OR DISCLOSED WITHOUT THE WRITTEN PERMISSION OF IBEOS, LLC.



6X ϕ .120 [3.048] ∇ .190 [4.826]
 #4-40 HELICAL INSERT INSTALLED
 PER NASM 33537, BOTH SIDES



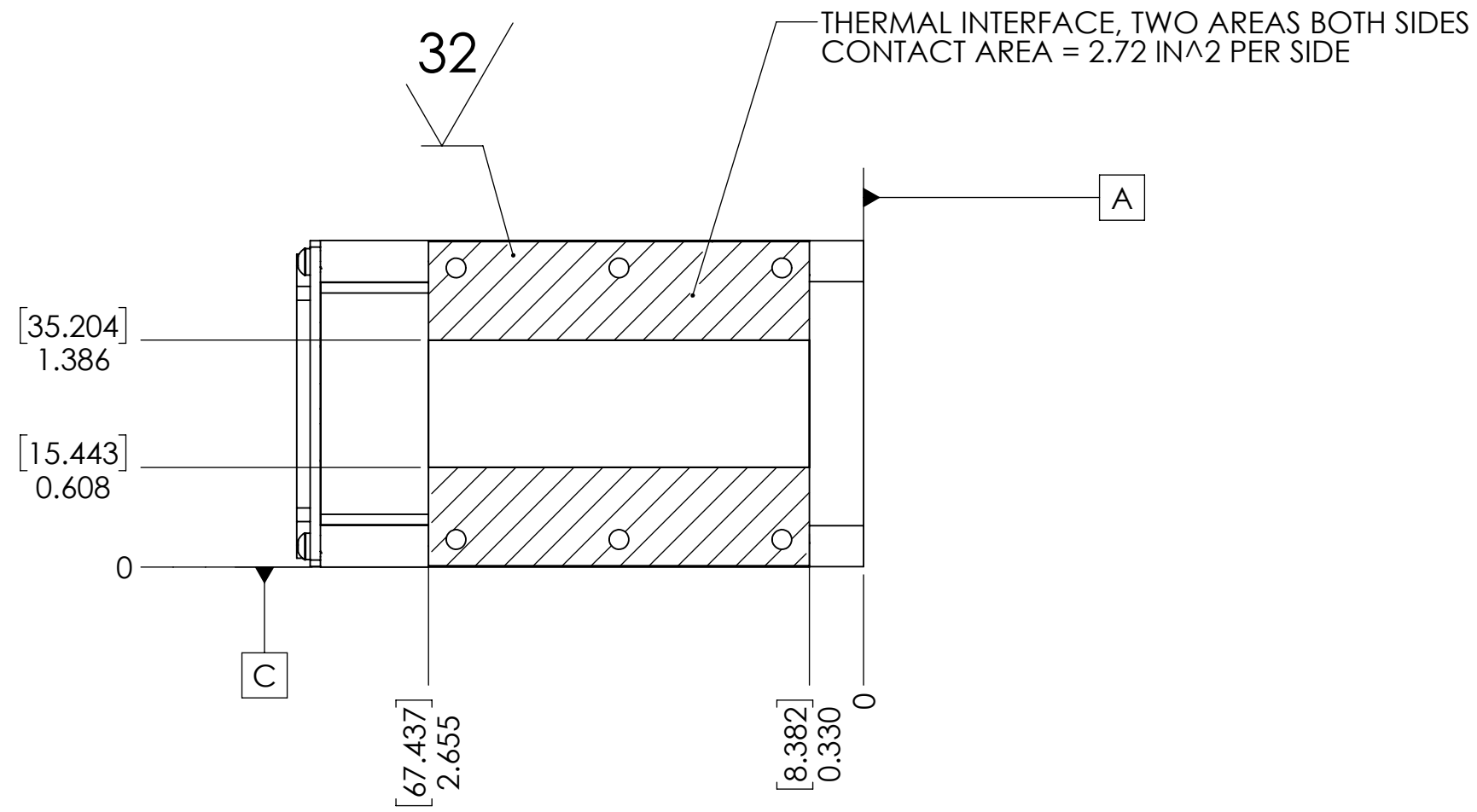
CONNECTOR

REF. DES.	PART NUMBER	MANUFACTURER	DESCRIPTION	REC MATING CONN PN	MATING CONN MANUFACTURER
J1	MWDM2L-25PCBRPT-.110	GLENAIR	BATTERY CONNECTOR	MWDM2L-25S-4J5-18L	GLENAIR

SIZE	DWG. NO.	REV
B	CA-135-001	-
SCALE: 1:1		SHEET 2 OF 3



THIS DRAWING CONTAINS PROPRIETARY INFORMATION OF IBEOS, LLC AND CANNOT BE COPIED, REPRODUCED, OR DISCLOSED WITHOUT THE WRITTEN PERMISSION OF IBEOS, LLC.



SIZE	DWG. NO.	REV
B	CA-135-001	-
SCALE: 1:1	SHEET 3 OF 3	